

# ACP NEWS

ACPNewsletterNOV08

ACP CONTRACTOR NEWSLETTER

SPECIAL EDITION#3 FOR HVAC  
CONTRACTORS ONLY

Authorized Contractor Program  
Quality Assurance System (QAS)

## REMINDER

In August of this year and again in September, we advised that ESA was moving forward with the application of an ANSI standard to all ACP HVAC work, called the Quality Assurance System or QAS. Our go live date for this change is **November 10<sup>th</sup>, 2008**.

If you do not understand how QAS will work or how it may affect your Business, please contact the ACP Office today @ 1-800-249-4583, for an explanation.

### QAS Highlights:

- Code infractions discovered on your work today will require another inspection at another of your work sites already filed for or on your next filed notification
- Inspections will continue to occur until no code infractions are found and until ESA feels confident none exist
- Terminology and associated Fees:
  - o Phase I: audit ratio 1:10 (normal) - permit fee \$25/notification
  - o Phase II: audit ratio 2:10 – permit fee \$50/notification
  - o Phase III: 100% inspections – permit fee \$71/notification
- If code infractions persist, your Company will be phased up to the next audit level
  - o Once code infractions are eliminated, your Company will be returned to Phase I, or normal
- Ensuring consistent code compliant work will make certain you stay in Phase I

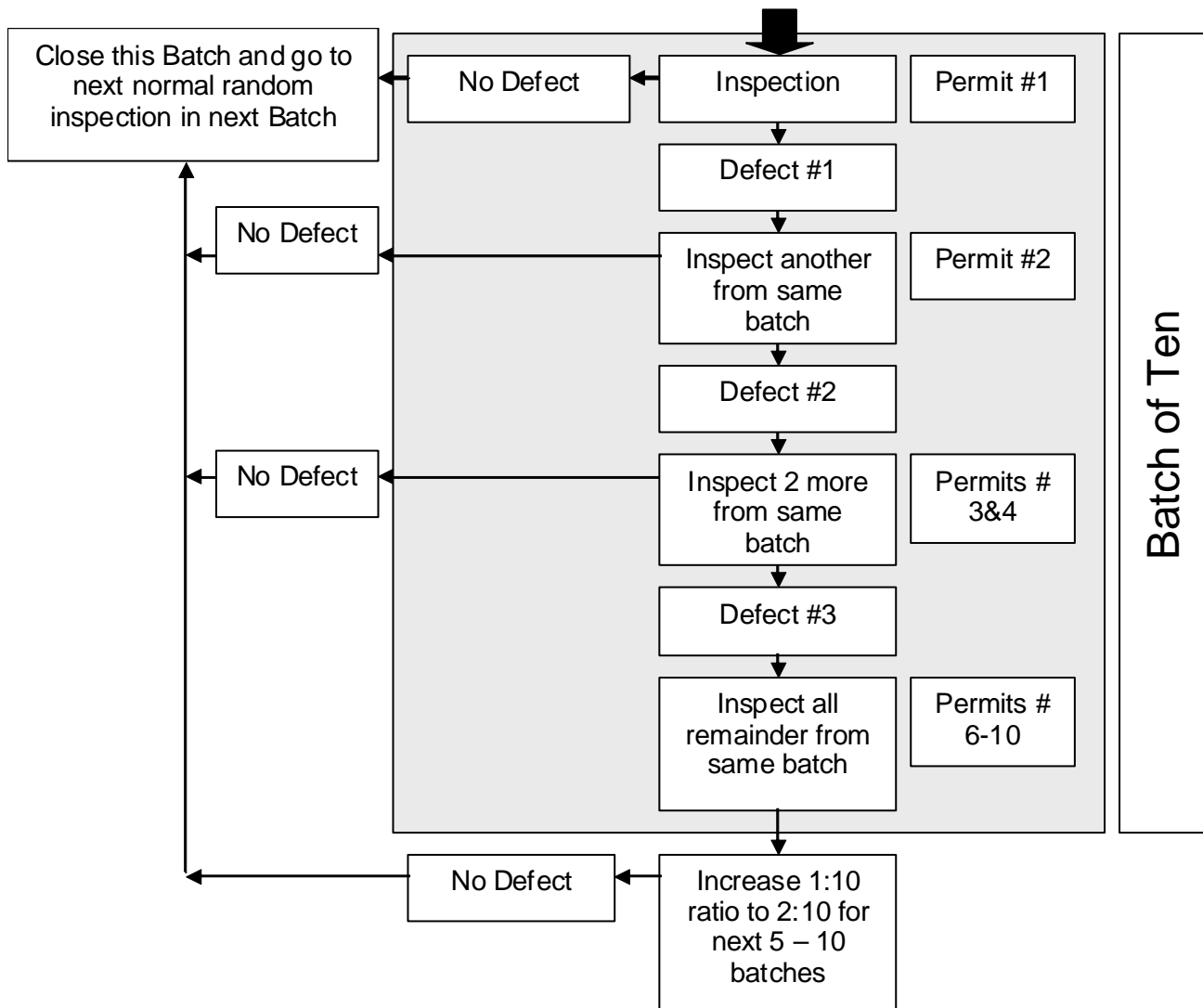
*ACP - the key to electrical safety!*

CONTACT THE ACP OFFICE AT 800-249-4583



The following chart demonstrates how QAS will work when applied to ACP HVAC work:

1<sup>st</sup> Inspection Starts Here



*ACP - the key to electrical safety!*

CONTACT THE ACP OFFICE AT 800-249-4583

