

November 24, 2010

**Robert Bosch Inc. Recalls Bosch HD19 and HD21 Hammer Drills Due to Electrical Shock Hazard**

The Electrical Safety Authority is notifying the public that Robert Bosch Inc. has announced a voluntary recall of the following consumer product. Consumers should stop using recalled products immediately.

**Name of Product:** 1/2" Hammer Drill

**Units:** 375 in Canada.

**Manufacturer/Importer:** Robert Bosch Inc.

**Hazard:** The models have a grounding system and trigger switch that could cause ground wire abrasion and/or ground connector failure. In addition, the switch trigger could become stuck in the "on" position posing an injury hazard to the user.

**Incidents/Injuries:** No injuries or damage reported.

**Description/Models:** Bosch 1/2" 2-Speed Hammer Drill HD19-2, HD19-2D, HD19-2L & HD21-2.

**Sold by:** Various retailers including Lowes Canada and various distributors.

**When was distributed:** September 2009 to August 2010

**Manufactured in:** Switzerland

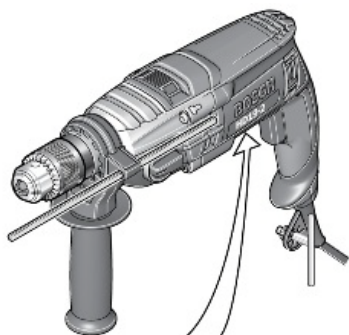
**Remedy:** Consumers should immediately stop using the hammer drill and return the product to Robert Bosch Tool Corporation for repair.

**Consumer Contact:** Contact Bosch at 1-866-244-2110 between 7 a.m. and 7 p.m. CT Monday through Friday or visit the firm's website at [www.Boschtools.com](http://www.Boschtools.com).

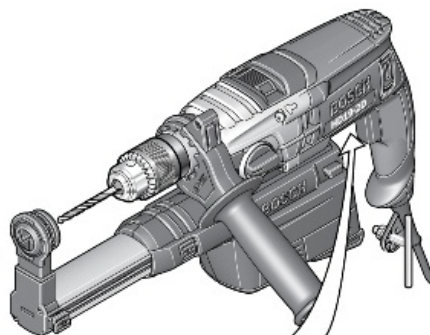
**Remarks:** The recalled units are certified to Canadian Standards by UL. For more information about UL product certification process please visit: [www.UL.com](http://www.UL.com).

**HD19-2, HD19-2D, HD19-2L & HD21-2 Hammer Drills  
Manufactured with Serial Numbers beginning with:**

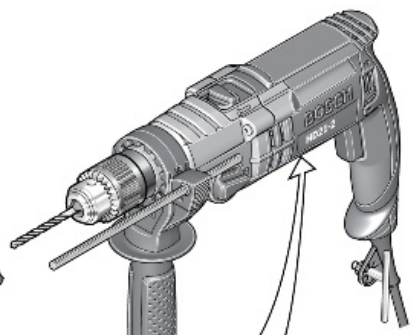
|            |            |            |            |            |            |            |            |
|------------|------------|------------|------------|------------|------------|------------|------------|
| <b>987</b> | <b>988</b> | <b>989</b> | <b>990</b> | <b>991</b> | <b>992</b> |            |            |
| <b>001</b> | <b>002</b> | <b>003</b> | <b>004</b> | <b>005</b> | <b>006</b> | <b>007</b> | <b>008</b> |



**SERIAL NUMBER**



**SERIAL NUMBER**



**SERIAL NUMBER**